



FEED AND BIOFUEL  
**HAMMER MILL**  
TYPE MULTI1400D

Fine-grinding hammer mill for high-capacity production of fish feed, pet food, and other fine-grinding applications.

**THE PROVEN MULTIMILL IN NEW DESIGN**

- High-capacity particle size reduction
- Superior feed quality
- Low-temperature operation to protect the nutritive value of the feed ingredients
- Reduced energy consumption
- Hinged, dual screen frame concept
- Four screen sections, allowing increasing particle size flexibility on different screens
- Minimization of screen costs
- Temperature monitoring of bearing
- Connection box for electrical connections.

**ANDRITZ**

**ENGINEERED SUCCESS**

## FEEDING SYSTEM FOR UNIFORM SCREEN LOAD

The material is fed in over the full length of the grinding chamber to ensure that the particle sizes can be controlled easily and the hammers and screens have uniform loading, thus prolonging the service life of wear parts.

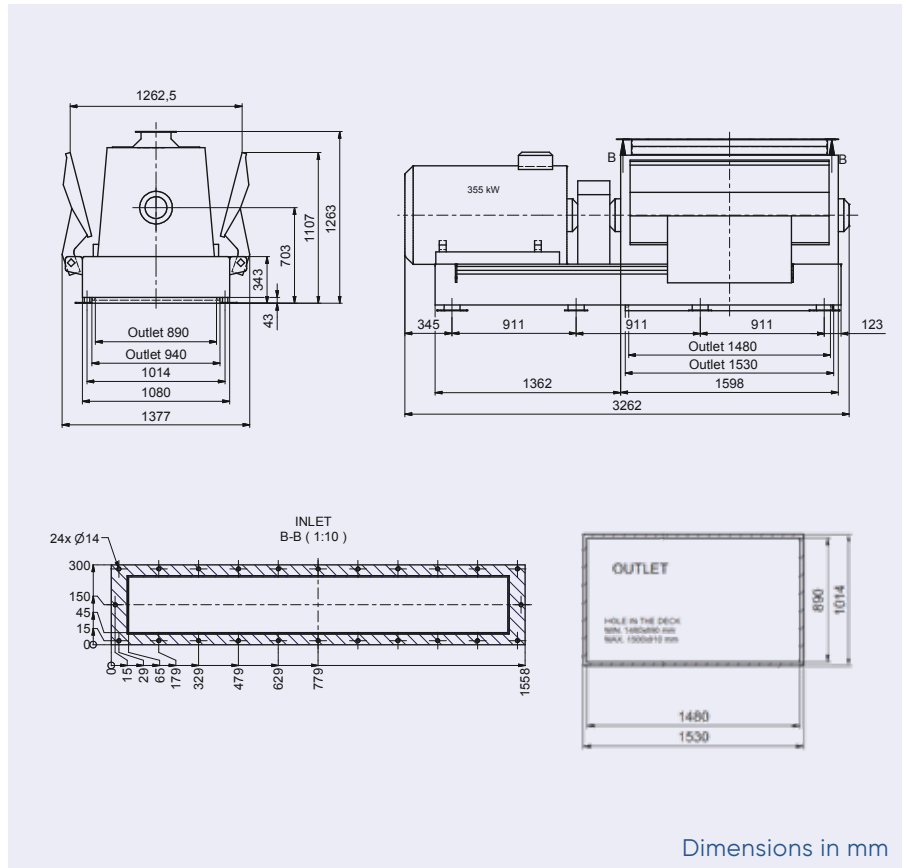
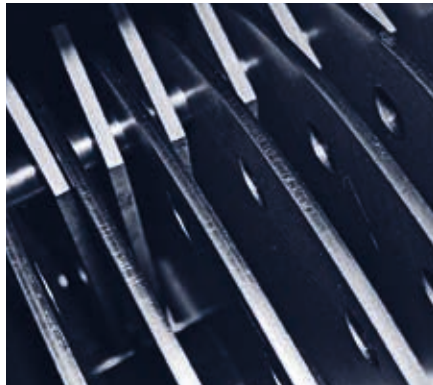
The feeder system, is available as double screw or pocketfeeder to suit all raw material types.

## LOW-ENERGY CONSUMPTION – HIGH PERFORMANCE

A patented, aerodynamic rotor design guides the material directly out towards the screen for highly efficient, low-energy grinding.

## OPTIONAL FEATURES

- Monitoring of grinding chamber temperature
- Vibration surveillance
- Drive with brake
- Stand alone control unit
- Meal collecting bin or pneumatic transport system.



## TECHNICAL DATA

### Multimill 1400D

Motor power	200–355 kW
Motor 50/60 Hz	3000/3600 rpm
Screen area	186 dm <sup>2</sup>
Number of hammers (6 mm)	216 (4 x 54)
Air flow	9000 m <sup>3</sup> /h
Weight, excl. motor	3400 kg

Feeding systems: see separate leaflet.

## ANDRITZ Feed and Biofuel A/S

andritz-fb.dk@andritz.com

p: +45 72 160 300 / andritz.com/ft

# ANDRITZ

All data, information, statements, photographs and graphic illustrations in this leaflet are without any obligation and raise no liabilities to or form part of any sales contracts of ANDRITZ AG or any affiliates for equipment and/or systems referred to herein. © ANDRITZ AG 2018. All rights reserved. No part of this copyrighted work may be reproduced, modified or distributed in any form or by any means, or stored in any database or retrieval system, without the prior written permission of ANDRITZ AG or its affiliates. Any such unauthorized use for any purpose is a violation of the relevant copyright laws. ANDRITZ AG, Stattegger Strasse 18, 8045 Graz, Austria.



1206 GB

B 0718