



A

FEED AND BIOFUEL

SCREENING AND CLASSIFICATION OF PELLETS

SHANGHAI GYRATORY SCREENER TYPE SGS

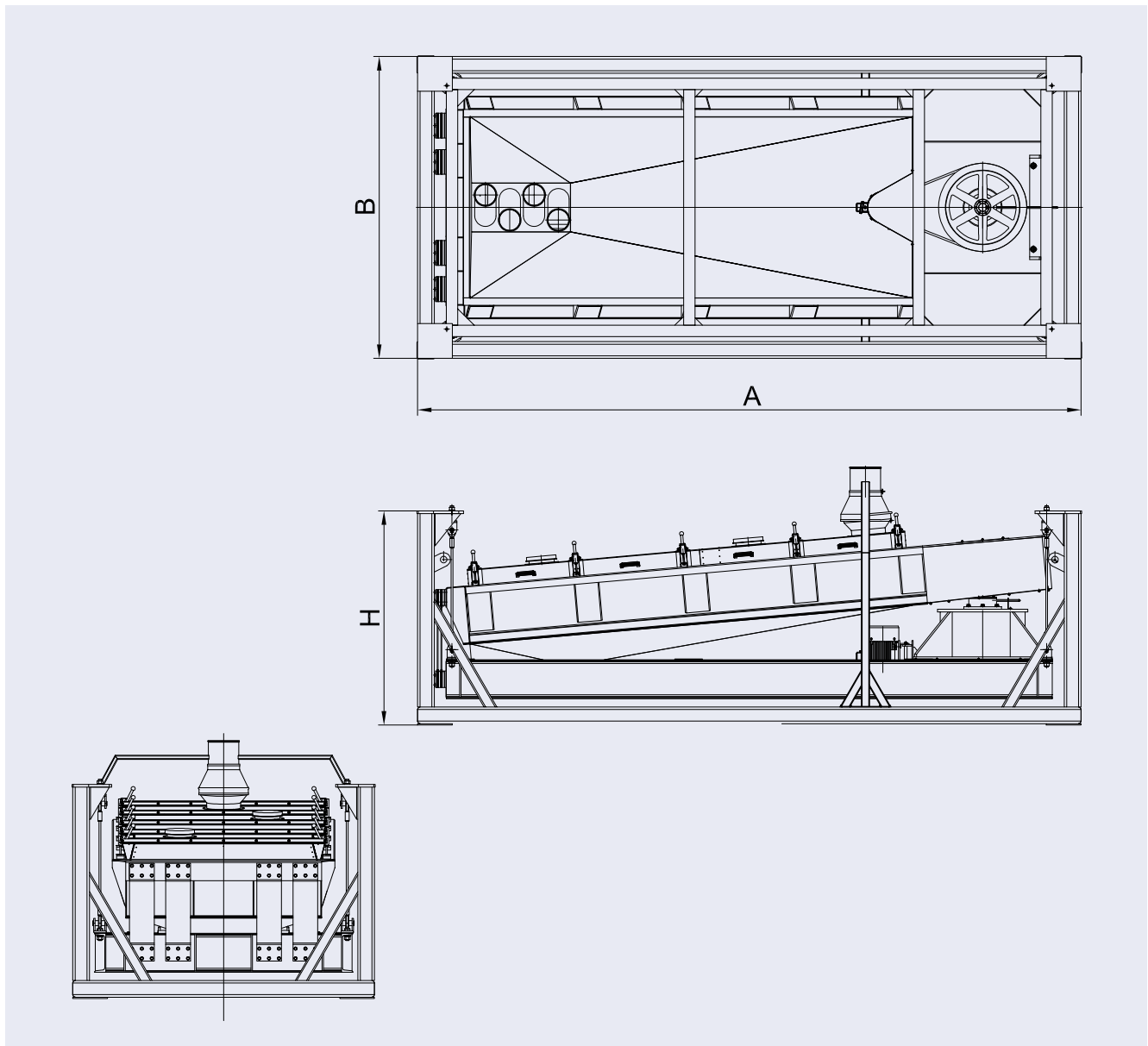
ANDRITZ

ENGINEERED SUCCESS

Screening and classification of pellets

The ANDRITZ gyratory screeners type SGS are designed for classifying and screening pellets from both aqua and animal feed. Inertia generated by the moving screens, combined with elliptical and reciprocating linear motion provide balance, resulting in a smooth operation with reduced noise emission.

Additionally, the SGS series is outfitted with an energy efficient cleaning mechanism that is easy to maintain.



The SGS Series is highly efficient, keeping energy consumption low and maintenance simple.



SGS gyrotory screener

TECHNICAL SPECIFICATIONS

| Model No | Motor Power kW | Main shaft rpm | Screen layer | Screen size <12 mesh mm | Capacity t/h | Support pattern |
|----------|-------------------|-------------------|--------------|-------------------------------|-----------------|--------------------|
| SGST100 | 3 | 204 | two layers | 2405×1000 | 10~12 | Epoxy resin plates |
| SGSF100 | 3 | 204 | three layers | 2405×1000 | 10~12 | Epoxy resin plates |
| SGST120 | 4 | 205 | two layers | 2405×1200 | 12~18 | Epoxy resin plates |
| SGSF120 | 4 | 205 | three layers | 2405×1200 | 12~18 | Epoxy resin plates |
| SGST140 | 4 | 205 | two layers | 2405×1400 | 18~25 | Epoxy resin plates |
| SGSF140 | 4 | 205 | three layers | 2405×1400 | 18~25 | Epoxy resin plates |

DIMENSION SIZE (MM)

| Model | A | B | H | Included degree of screen |
|-----------------|------|------|------|------------------------------|
| SGST100/SGSF100 | 4360 | 1790 | 1380 | 4°-6° |
| SGST120/SGSF120 | 4300 | 2050 | 1380 | 4°-6° |
| SGST140/SGSF140 | 4780 | 2180 | 1540 | 4°-6° |





GLOBAL SUPPLIER – LOCAL PRESENCE

With sales, service, engineering, manufacturing and production sites located all around the world, ANDRITZ Feed and Biofuel is truly a global organization with a local presence. ANDRITZ is vital to ensuring a reliable global supply of aqua feed, animal feed, pet food, and biofuel. With full process lines accounting for half the world's production of aqua feed and biomass alone, we continuously support leading producers in achieving the highest levels in safety, quality, and control from feedstock to final product.

How can we help grow your business?

ANDRITZ Feed and Biofuel A/S

Glentevej 5-7
6705 Esbjerg, Denmark
p: +45 72 160 300
andritz-fb.dk@andritz.com

ANDRITZ (Shanghai) Equipment & Engineering Co., LTD

No.2288, Rongle East Road, Songjiang,
201613, Shanghai, P.R.China
p: +86 21 57745781
andritz-fb.cn@andritz.com

AUSTRALIA

p: +61 3 8773 4888
andritz-fb.au@andritz.com

CHINA

p: +86 21 5774 5781
andritz-fb.cn@andritz.com

INDIA

p: +91 87544 15287
andritz-fb.india@andritz.com

SOUTH AFRICA

p: +27 82 781 0808
andritz-fb.za@andritz.com

BANGLADESH

p: +88 (02) 9844800
andritz-fb.bd@andritz.com

COLOMBIA

p: +57 (1) 744 8200
andritz-fb.co@andritz.com

ITALY

p: +39 (0445) 575 695
andritz-fb.it@andritz.com

TURKEY

p: +90 232 570 38 00
andritz-fb.tr@andritz.com

BRAZIL

p: +55 47 3387 9146
andritz-fb.br@andritz.com

DUBAI

p: +971 4 299 5555
andritz-fb.uae@andritz.com

MEXICO

p: +52 443 323 1530 ext 364
andritz-fb.mx@andritz.com

UK

p: +44 1482 825119
andritz-fb.uk@andritz.com

CANADA

p: +1 519 676 7057
anbosales@andritz.com

FRANCE

p: +33 24 75 06 364
andritz-fb.fr@andritz.com

NETHERLANDS

p: +31 40 2627777
andritz-fb.nl@andritz.com

USA

p: +1 570 546 1253
andritz-fb.us@andritz.com

CHILE

p: +56 2 24624608
andritz-fb.cl@andritz.com

GERMANY

p: +49 2104 9197 0
andritz-fb.de@andritz.com

POLAND

p: +48 60 906 1037
andritz-fb.pl@andritz.com

VIETNAM

p: +84 8 6253 9434
andritz-fb.vi@andritz.com

ANDRITZ.COM/FT

ANDRITZ

All data, information, statements, photographs and graphic illustrations in this leaflet are without any obligation and raise no liabilities to or form part of any sales contracts of ANDRITZ AG or any affiliates for equipment and/or systems referred to herein. © ANDRITZ AG 2019. All rights reserved. No part of this copyrighted work may be reproduced, modified or distributed in any form or by any means, or stored in any database or retrieval system, without the prior written permission of ANDRITZ AG or its affiliates. Any such unauthorized use for any purpose is a violation of the relevant copyright laws. ANDRITZ AG, Stattegger Strasse 18, 8045 Graz, Austria.



3008 GB

B 1116